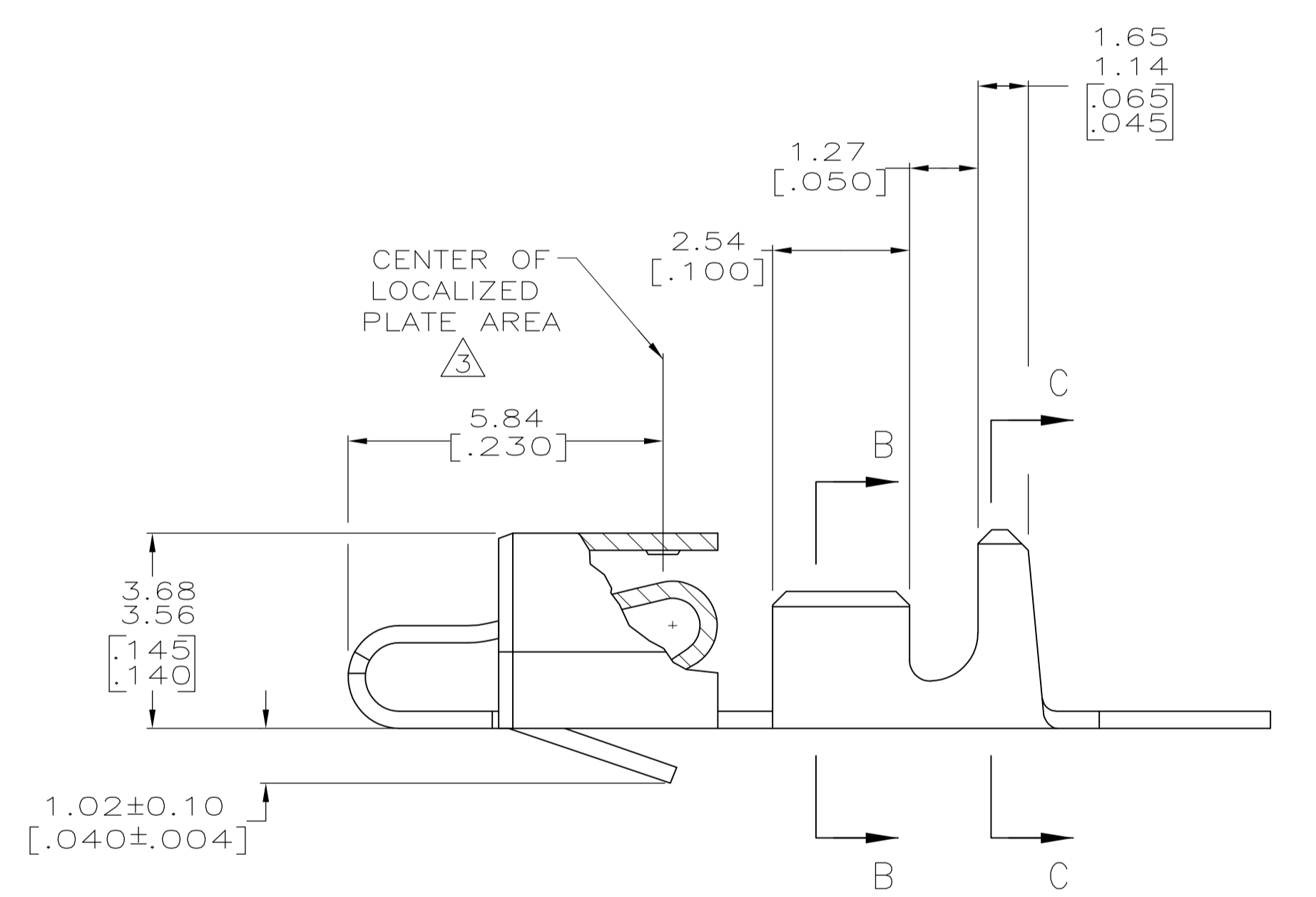
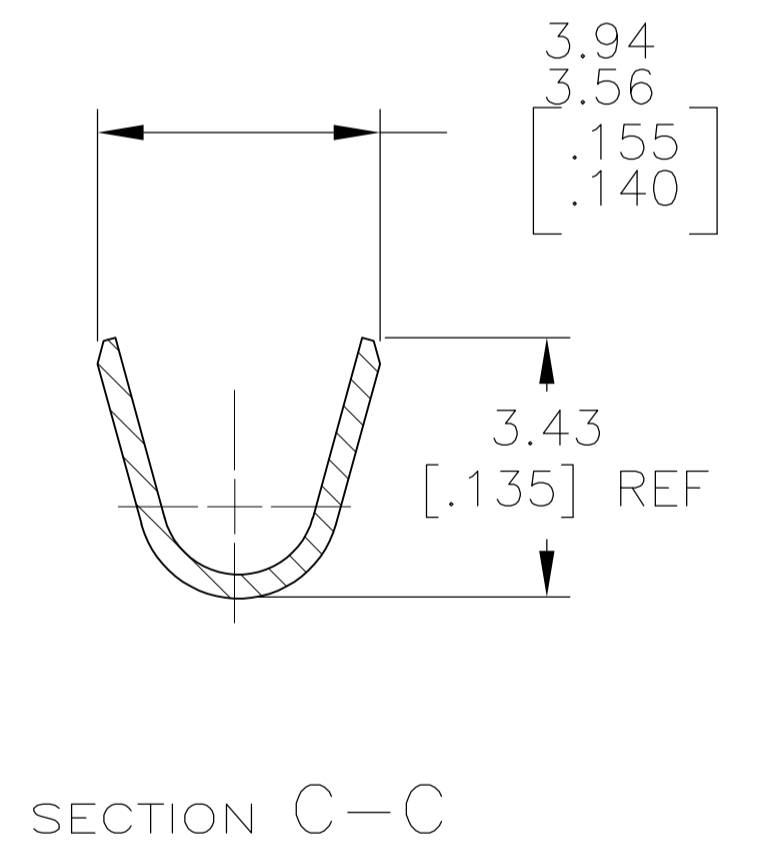
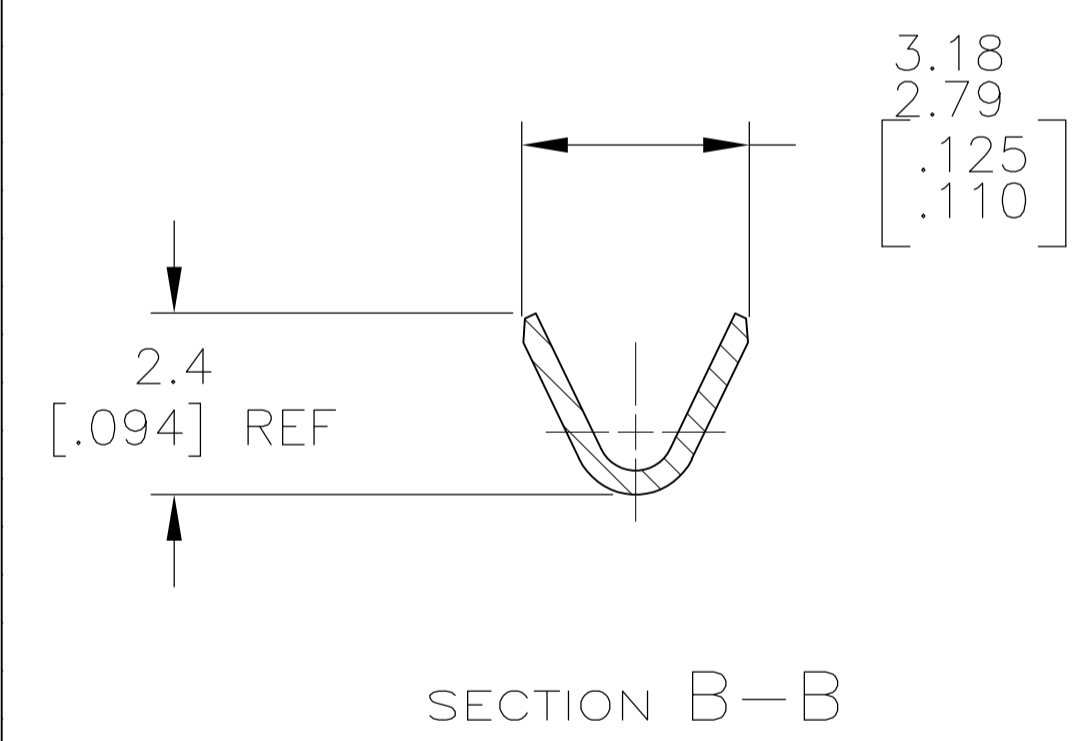
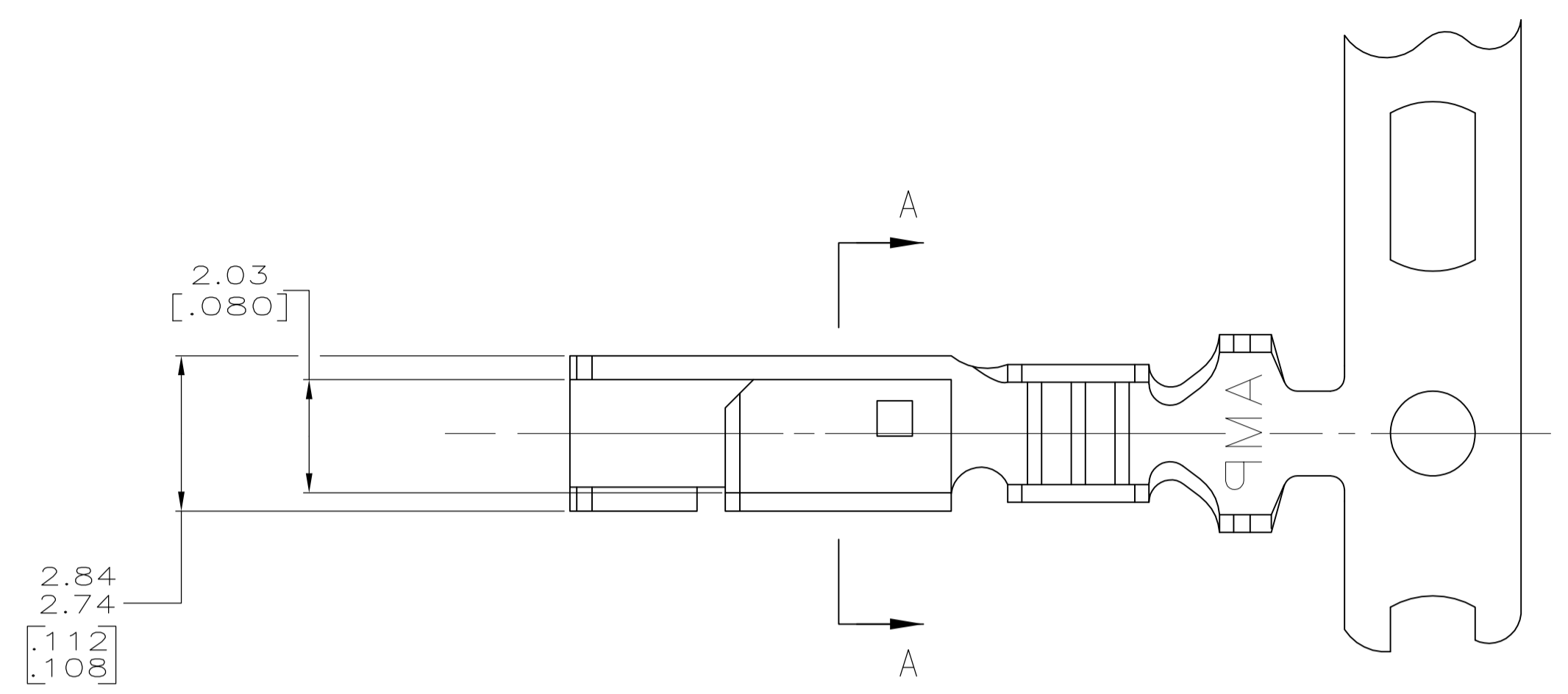
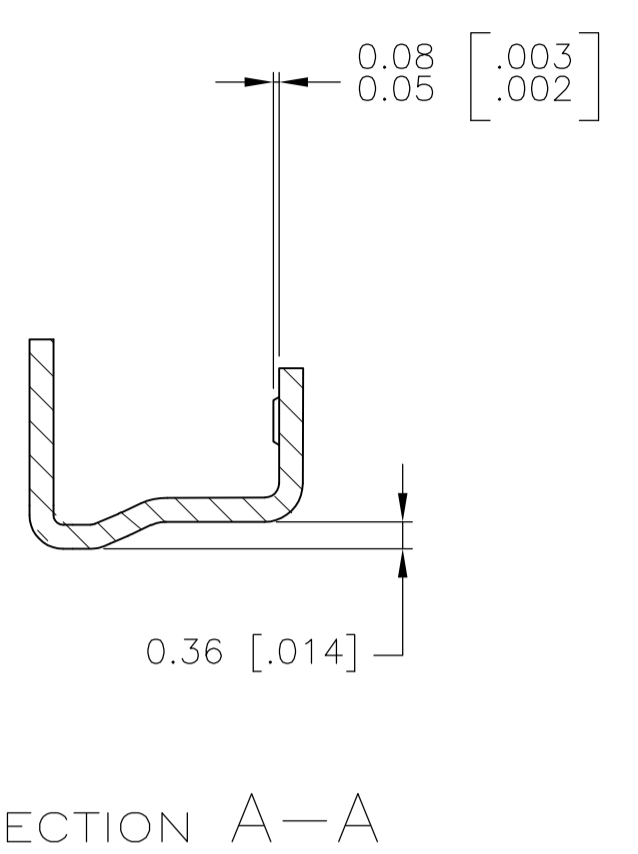


LOC	DIST	REVISIONS			
P	LTR	DESCRIPTION	DATE	DN	APVD
K1	REVISED PER	ECO-11-004587	11MAR11	RK	HMR



- INSULATION RANGE: 1.09–2.79 [.043–.110]
WIRE RANGE: 0.2–0.9 mm² (24–18) AWG.
- 0.00203 [.000080] MIN BRIGHT TIN-LEAD OVER
0.00127 [.000050] MIN NICKEL.
- 0.00076 [.000030] MIN THICK GOLD STRIPES IN
LOCALIZED PLATE AREA ON BEAM AND DIMPLE OVER
0.00127 [.000050] MIN THICK NICKEL OVER ENTIRE
CONTACT.
- DIMENSIONS IN BRACKETS ARE IN INCHES.
- 0.00203 [.000080] MIN TIN OVER
0.00127 [.000050] MIN NICKEL.

△	3-770476-1
△	770476-2
△	770476-1
FINISH	PART NO.

METRIC

THIS DRAWING IS A CONTROLLED DOCUMENT.

DIMENSIONS: mm [INCHES]	TOLERANCES UNLESS OTHERWISE SPECIFIED:	DIN K. WHITAKER 180CT2004	CHK J. ELLIS	NAME J. ELLIS
0 PLC ± -	1 PLC ± -	2 PLC ± -	3 PLC ± .005	4 PLC ANGLES ± °30'
MATERIAL	FINISH	SIZE A1	CAGE CODE 00779	DRAWING NO 770476
CUSTOMER DRAWING		SCALE 10:1	SHEET 1 OF 1	REV K1

STE TE Connectivity
RECEPTACLE, SL-156